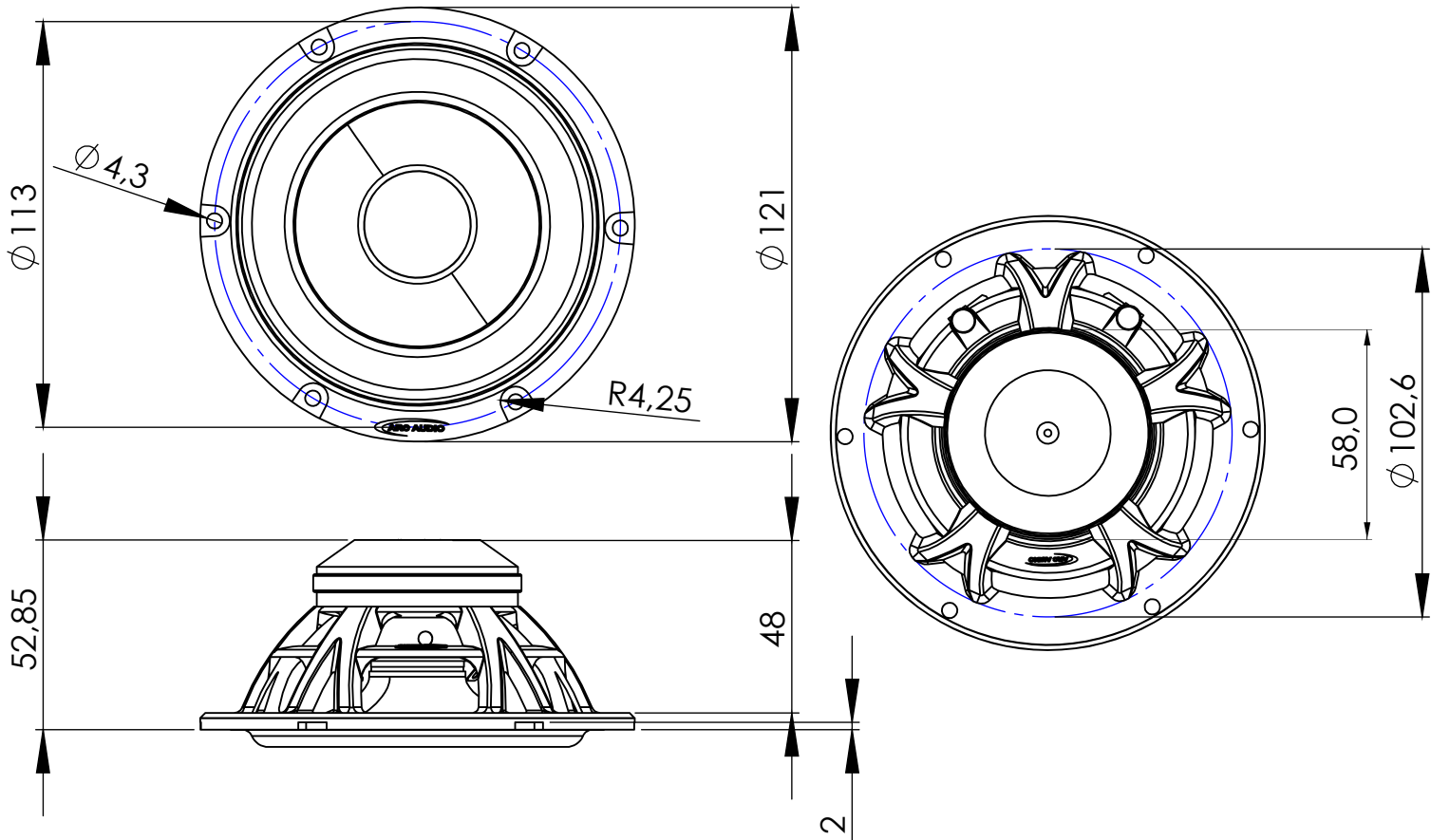




# RS4.0

## PHYSICAL DIMENSIONS AND T/S PARAMETERS



### ***THEILE SMALL PARAMETERS***

$R_{dc} = 3.2 \Omega$   
 $F_s = 77 \text{ Hz}$   
 $M_{ms} = 4.9 \text{ g}$   
 $Bl = 4.3 \text{ Tm}$   
 $R_{ms} = 0.45 \text{ kg/s}$   
 $C_{ms} = 0.87 \text{ mm/N}$   
 $S_d = 50 \text{ cm}^2$   
 $Q_{ms} = 5.27$   
 $Q_{es} = 0.41$   
 $Q_{ts} = 0.38$   
 $V_{as} = 3.1 \text{ liters}$   
 $SPL (2.83 \text{ V/1 m}) = 91 \text{ dB}$

### ***DIMENSIONAL INFORMATION***

Max O.D. = 121mm  
Cutout Diameter = 102.6mm  
Mounting Depth = 48mm  
Overall Depth = 52.85mm  
Motor Diameter = 58mm

### ***ADDITIONAL SPECIFICATIONS***

Max Power = 150 Watts  
RMS Power = 75 Watts  
Response = 90Hz - 11.5kHz  
@ 1 watt