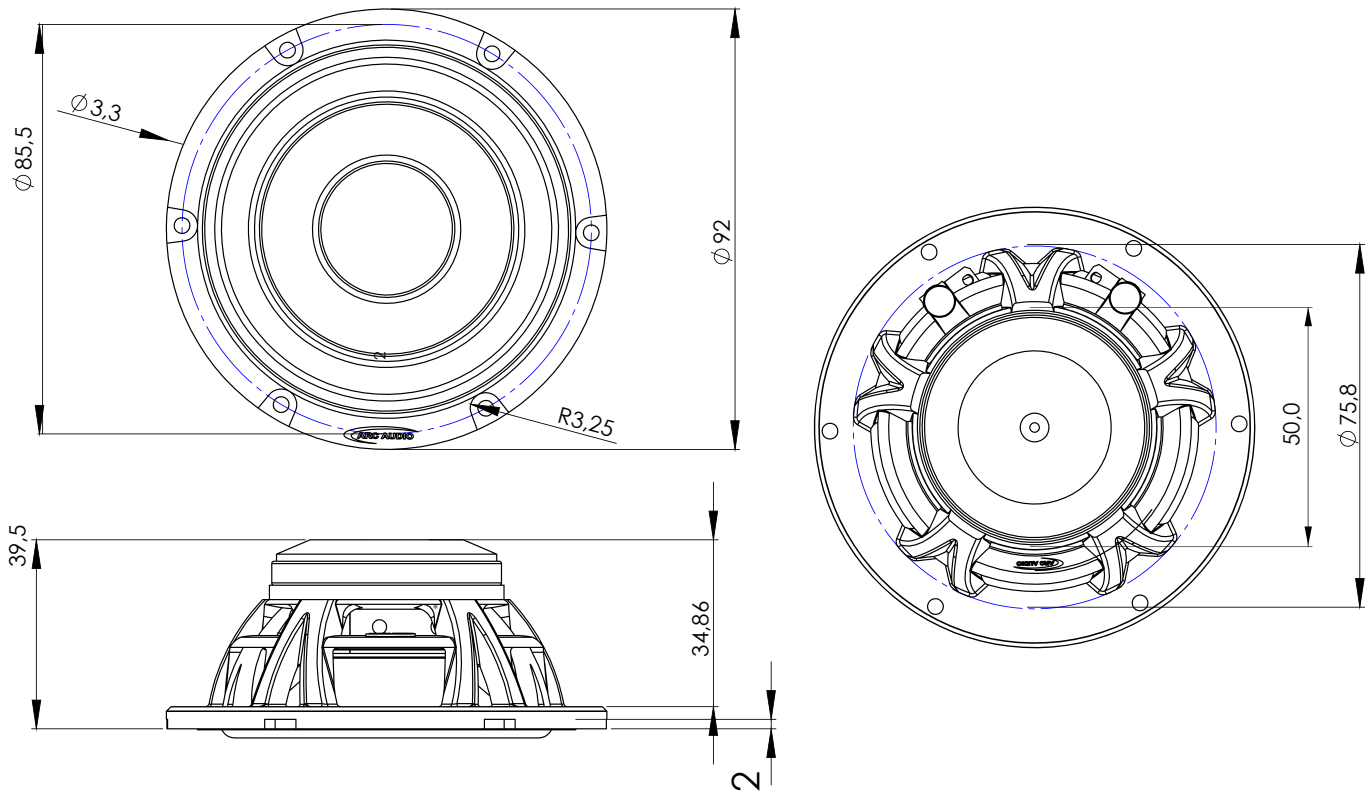




RS3.0

PHYSICAL DIMENSIONS AND T/S PARAMETERS



THEILE SMALL PARAMETERS

$R_{dc} = 3.4 \Omega$
 $F_s = 100 \text{ Hz}$
 $M_{ms} = 2.8 \text{ g}$
 $Bl = 3.4 \text{ Tm}$
 $R_{ms} = 0.3 \text{ kg/s}$
 $C_{ms} = 0.90 \text{ mm/N}$
 $S_d = 31 \text{ cm}^2$
 $Q_{ms} = 5.86$
 $Q_{es} = 0.52$
 $Q_{ts} = 0.48$
 $V_{as} = 1.2 \text{ liters}$
 $SPL (2.83 \text{ V/1 m}) = 89 \text{ dB}$

DIMENSIONAL INFORMATION

Max O.D. = 92mm
Cutout Diameter = 75.8mm
Mounting Depth = 34.86mm
Overall Depth = 39.5mm
Motor Diameter = 50mm

ADDITIONAL SPECIFICATIONS

Max Power = 65 Watts
RMS Power = 35 Watts
Response = 105Hz-18kHz
@ 1 watt